

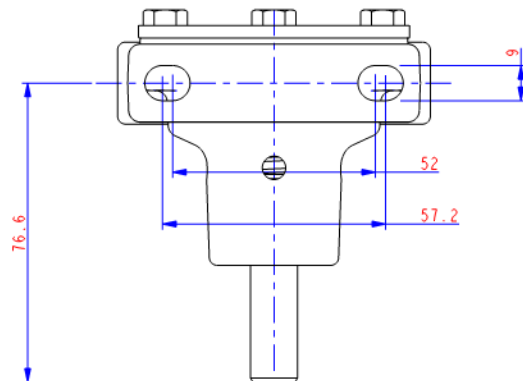
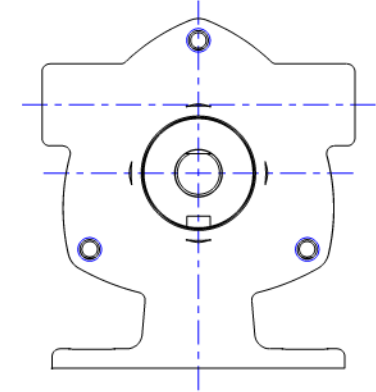
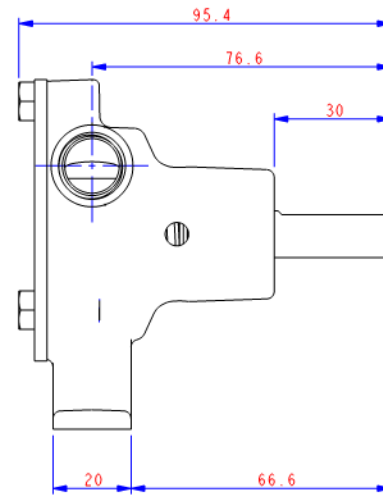
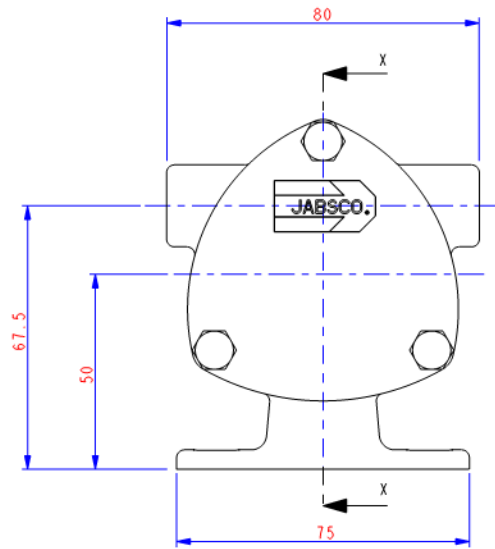
SECTION X-X

KEY	DESCRIPTION	PART NUMBER	QTY
1	BEARING - BALL	SP2601-0457H	2
2	BEARING SHIELD	51516-0000	1
3	BODY (FULL CAM)	51524-2000	1
4	END COVER	29405-0000	1
5	HEX HEAD SCREW	X3001-174F	3
6	IMPELLER 020	653-0101	1
7	MECHANICAL SEAL	96080-6024	1
8	O RING (1.78 x 56.87)	X5251-049	1
9	RETAINING RING - EXTERNAL	SP1701-4440	1
10	RETAINING RING - INTERNAL	SP1701-4438	1
11	SHAFT 010	51527-0000	1
12	SOCKET SET SCREW	sp1010-06	1
13	SUPPORT WASHER	51515-0000	1

THE FOLLOWING COMPONENTS DO NOT FORM PART OF THE ASSEMBLY BUT ARE REQUIRED

CARTON	PC100-0005	1
LABEL-CARTON	23007-3374	1
DATA SHEET	43000-0777	1
DATA SHEET	43000-0793	1

REFERENCE DOCUMENTS:
 ES 00-5332-020 ENGINEERING SPECIFICATION.
 23400-0089 TEST INSTRUCTIONS.
 23700-0197 ASSEMBLY INSTRUCTIONS.



PUMP ASSEMBLY SIZE 020

NOTE:
 END COVER SCREWS TO BE TIGHTENED TO A TORQUE OF 6.6 - 7.3 NM

D	002036	05.02.08
C	001858	12.12.07
ISSUE	ECN No.	DATE

Jabsco BINGLEY ROAD, HODDESDON HERTS, EN11 0BU, ENGLAND (0)1992 450145 www.jabsco.com	UNLESS OTHERWISE STATED DIMENSIONS ARE IN MM TOLERANCES UNLESS OTHERWISE STATED ARE: X DECIMALS ± X.X ± X.XX ± ANGULAR ± °	SCALE: 1.000	MATERIAL: ---
		DRAWN: J. ROUSE 28/11/01 CHKD/APPD: SJC 12.12.07	TITLE: PUMP 020 BRASS PEDESTAL BSP DRAWING NO.: 51520-2001